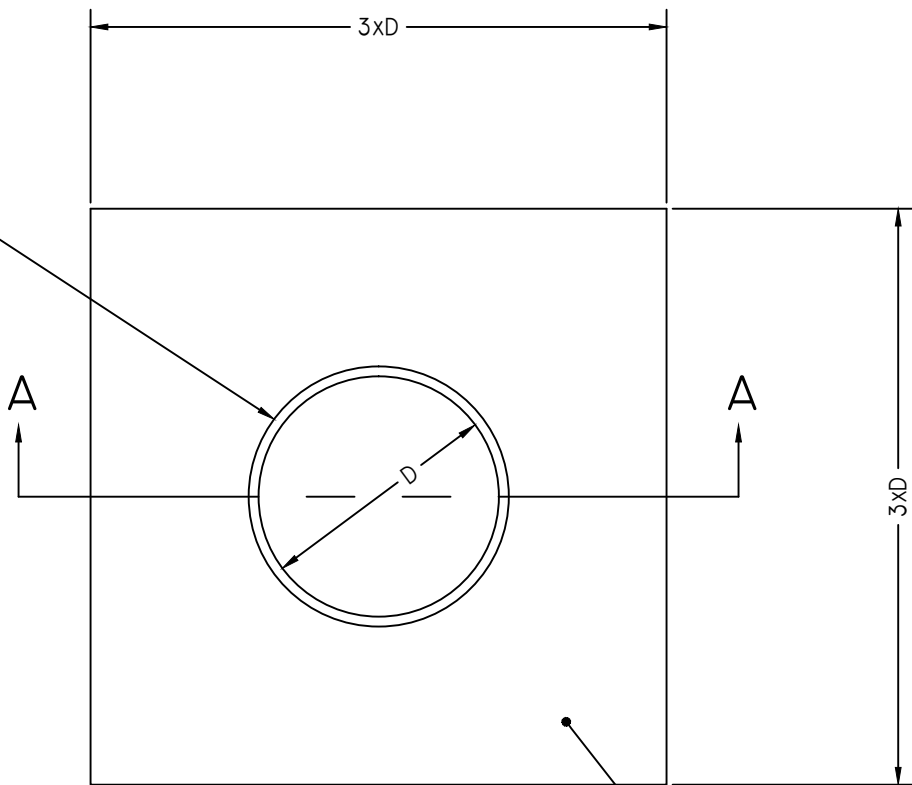


MANHOLE FRAME
& COVER



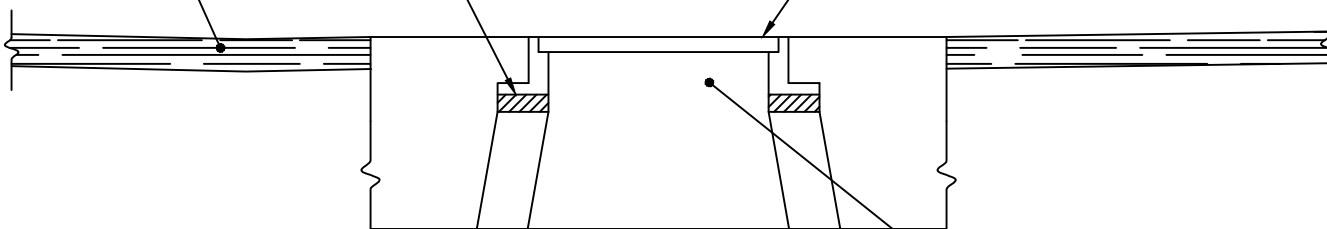
PLAN VIEW

PAVEMENT TYPE TO
MATCH EXISTING

EXISTING STREET
PAVEMENT

MORTOR BEDDING
MIN 1/2"
MAX 2"

SET FRAME 1/4" BELOW
EXISTING STREET GRADE



SECTION A-A

RAISE OR LOWER
CHAMBER AS REQUIRED

STREET MANHOLE REPAIR

DPW 5
 SHEET
 SCALE
 NTS
 DATE
 MAY '11

TITLE
STREET MANHOLE REPAIR

DRAWN		APPROVED	
MDR		JAL	
DATE	BY	REV	



CITY OF JAMESTOWN
DEPARTMENT OF PUBLIC WORKS
145 STEELE ST, JAMESTOWN, NY 14701
716-483-7545(OFFICE) 716-483-7544(FAX)

DIRECTOR OF PUBLIC WORKS: _____
JEFFREY A. LEHMAN, PE